



Illustrated Parts List

Model Series

31Q700

TYPE NUMBERS
0036 Through 0592.

TABLE OF CONTENTS

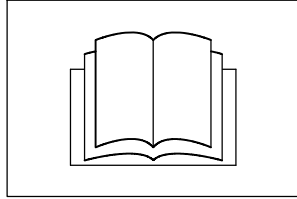
Air Cleaner	5
Alternator	7
Blower Housing	5
Camshaft	2
Carburetor	4
Controls	7
Crankshaft	2
Cylinder	2
Cylinder Head	3
Electric Starter	7
Engine Sump	2
Exhaust System	6
Flywheel	6
Fuel Supply	4
Gasket Set - Engine	2
Gasket Set - Valve	3
Governor Spring	7
Ignition	7
Kit - Carburetor Overhaul	4
Lubrication	3
Operator's Manual	2
Piston, Rings, Connecting Rod	2
Valves	3
Warning Label	2



PRINTED IN U.S.A.

COPYRIGHT by BRIGGS & STRATTON CORPORATION
All rights reserved. No part of this material may be reproduced or transmitted, in any form or by any means, electronic or mechanical, including photocopying, recording or by any information storage and retrieval system, without permission in writing from Briggs & Stratton Corporation.

1058 OPERATOR'S MANUAL

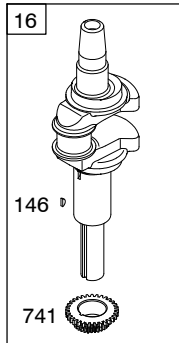
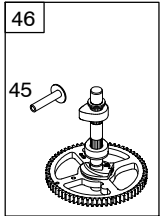
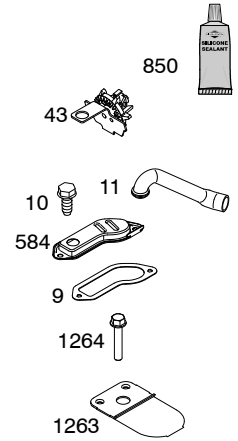
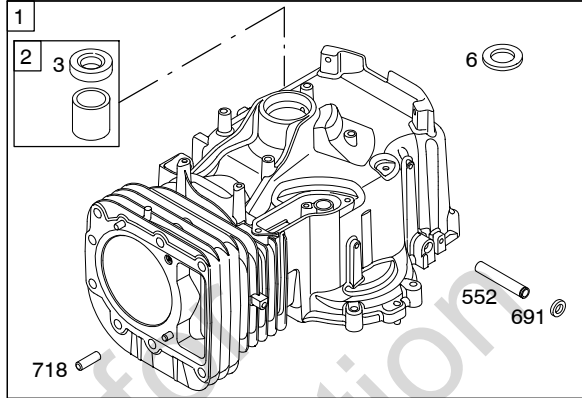
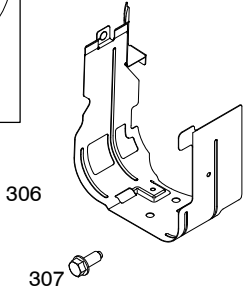
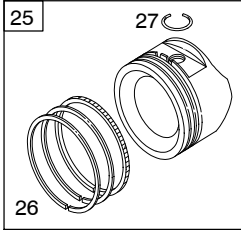
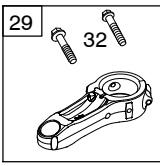
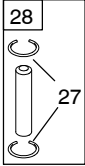


1319 WARNING LABEL

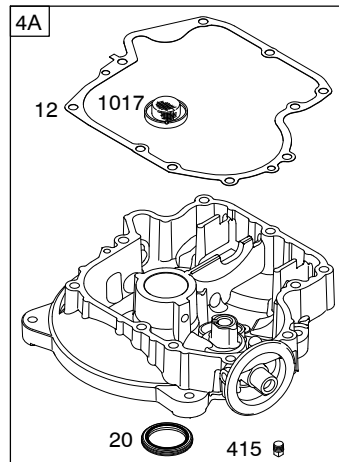
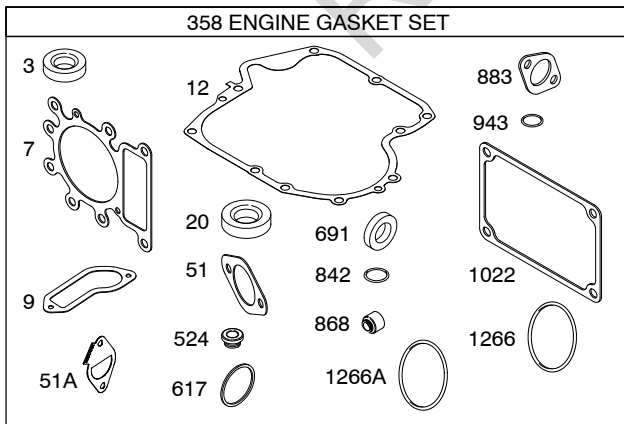
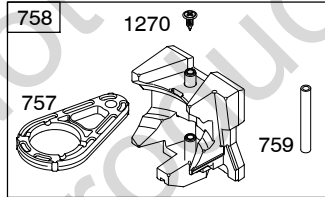
WARNING

- Read and follow Operating Instructions before running engine.
- Gasoline is flammable. Allow engine to cool at least 2 minutes before refueling.
- Engines emit carbon monoxide, DO NOT run in enclosed area.
- Muffler area temperature may exceed 150°F. Do not touch hot parts.

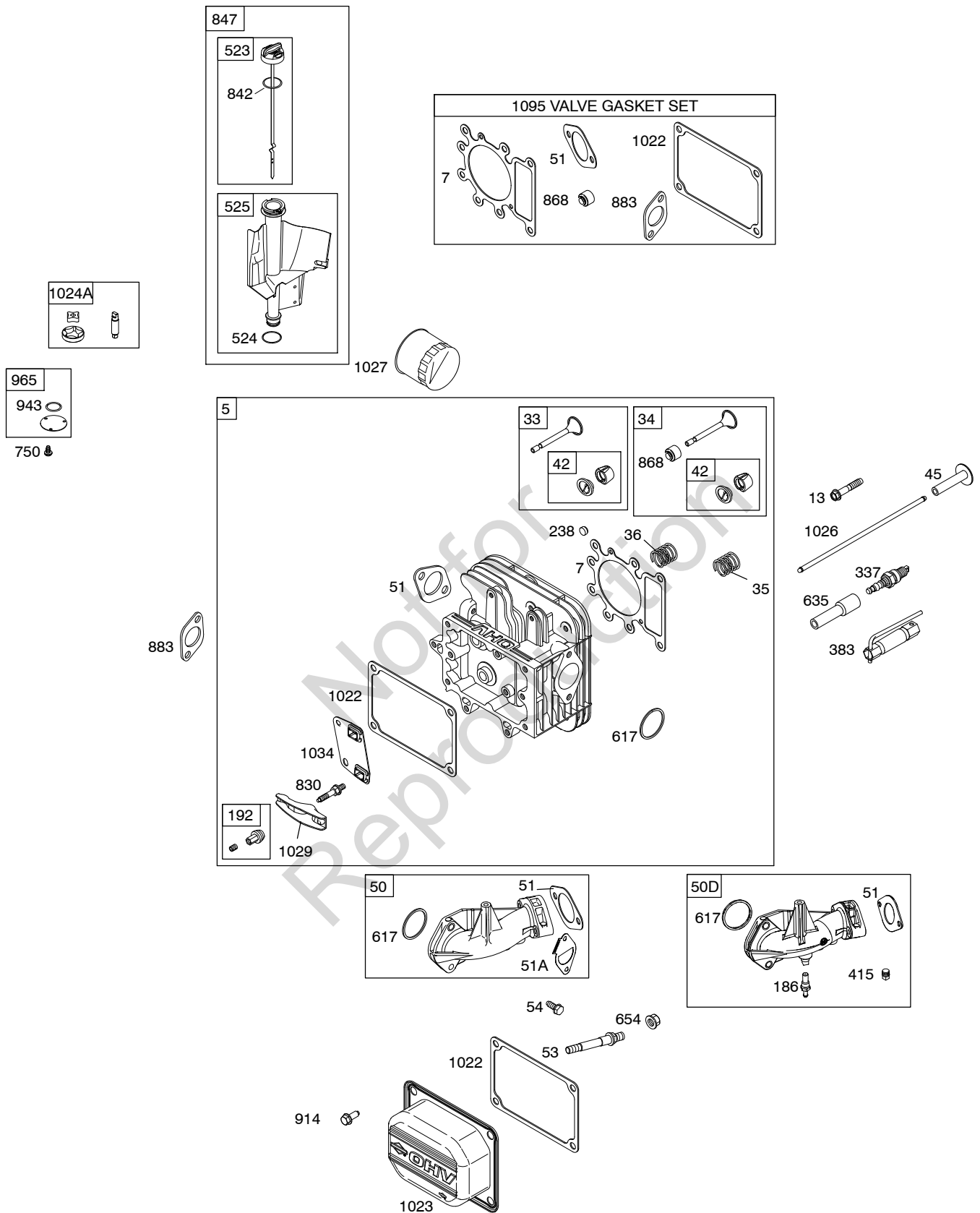
REQUIRED when replacing parts with warning labels affixed.



24

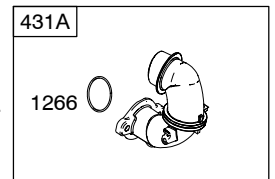
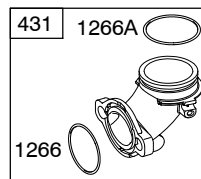
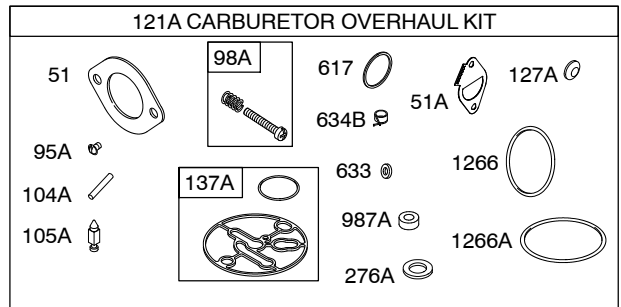
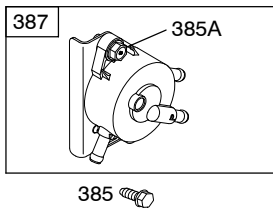
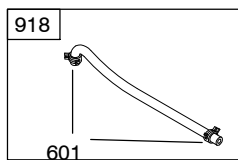
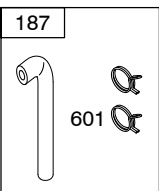
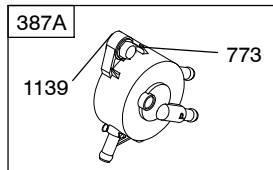
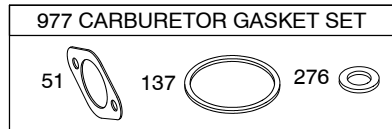
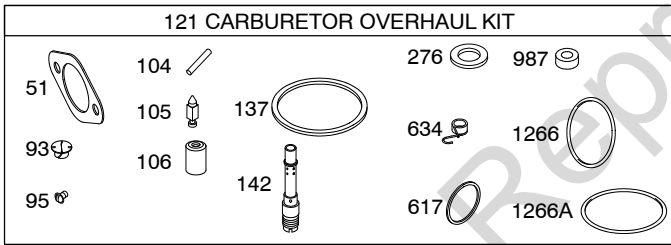
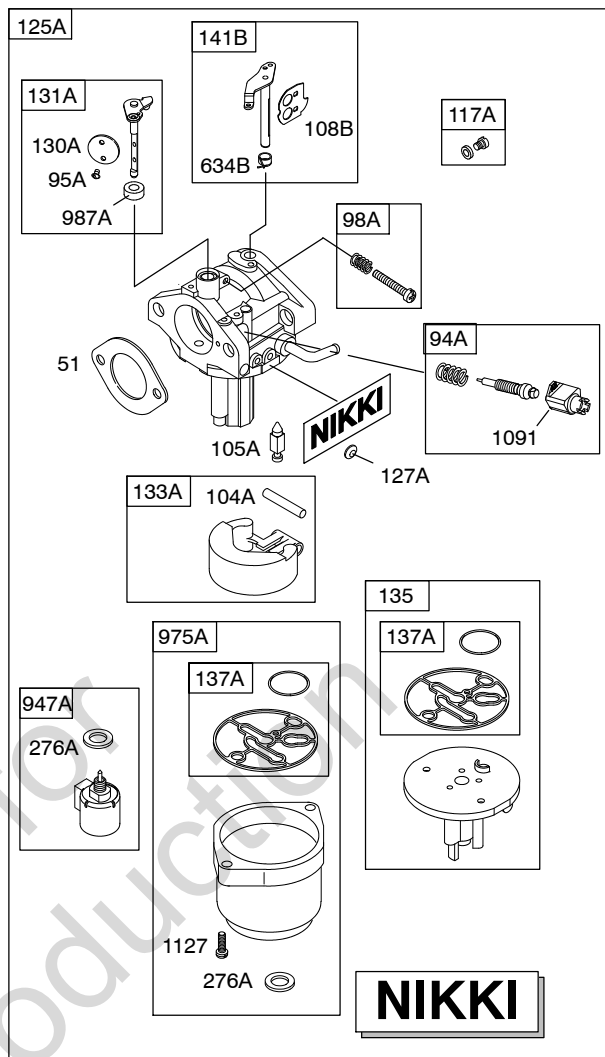
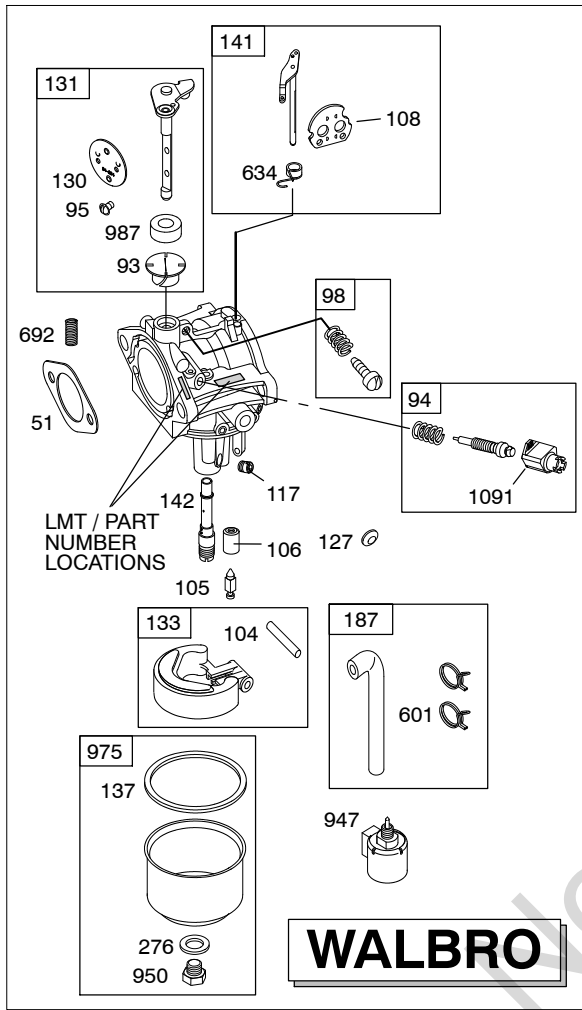


Illustrations cover a range of engines. Parts shown without corresponding text may not be used on your specific engine.

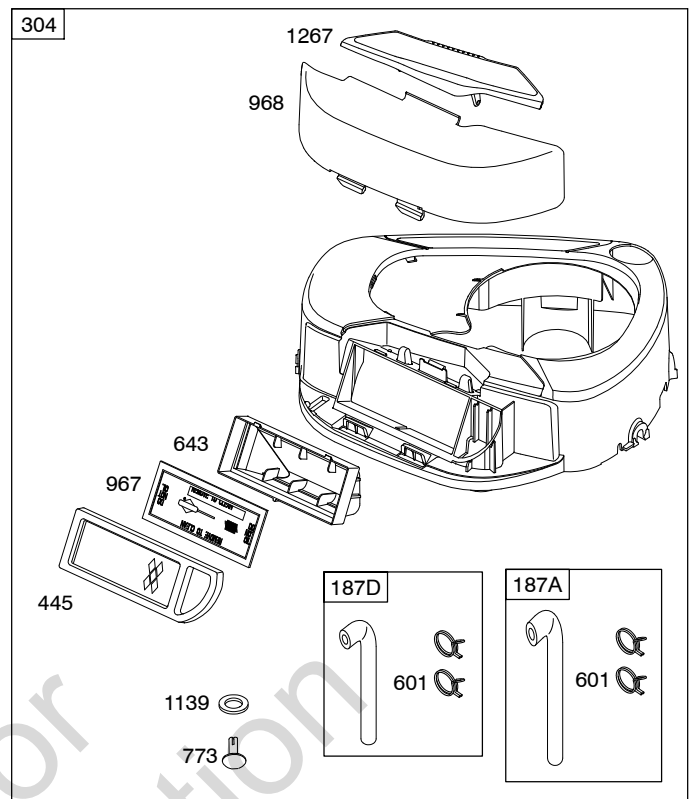
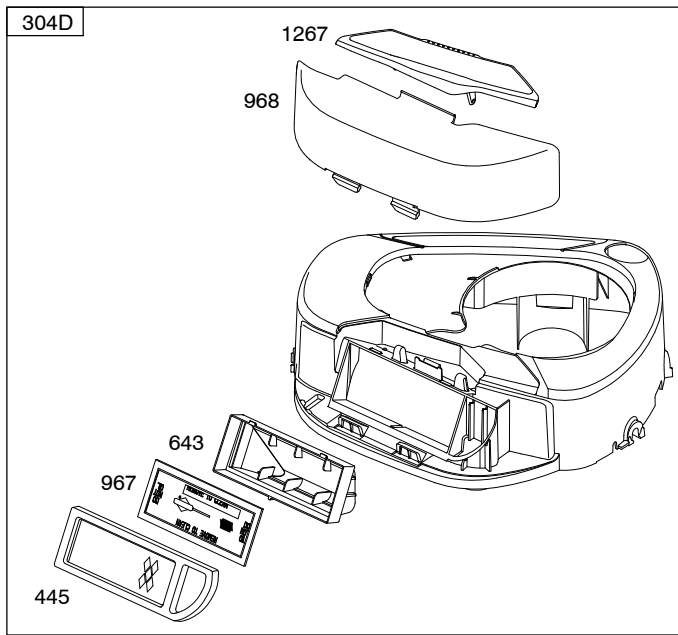


5767-3 *Illustrations cover a range of engines. Parts shown without corresponding text may not be used on your specific engine.* Assemblies include all parts shown in frames. **10/13/2008**

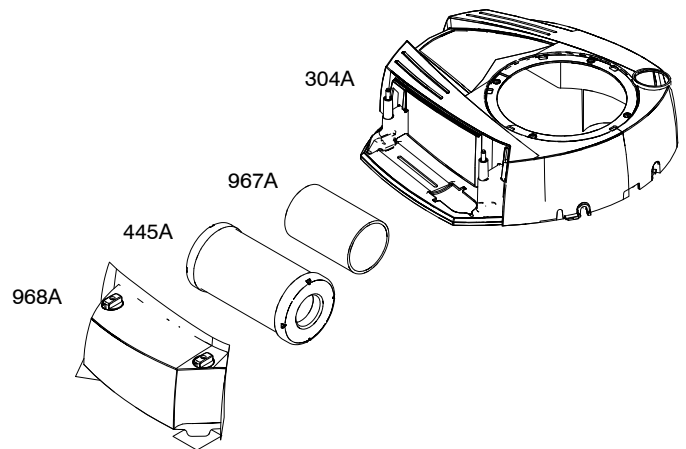
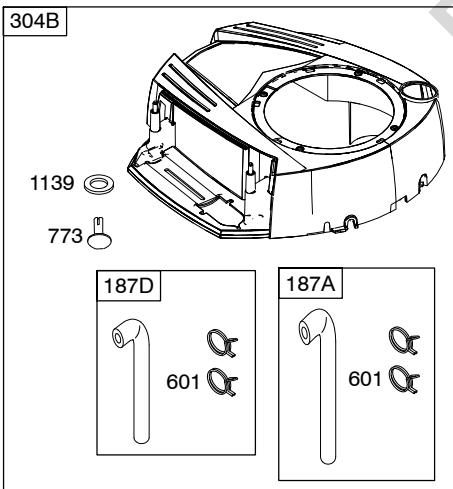
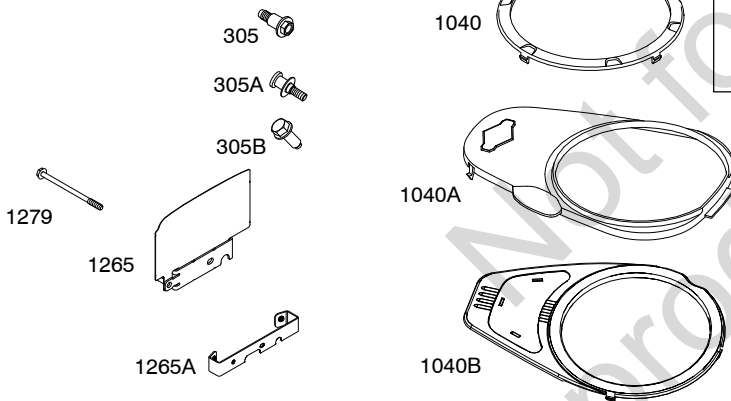
31Q700



Illustrations cover a range of engines. Parts shown without corresponding text may not be used on your specific engine.

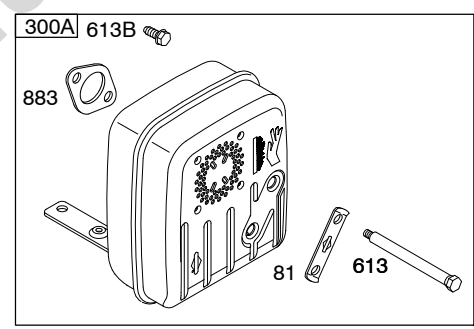
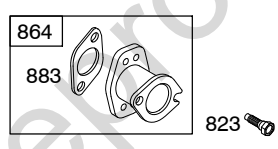
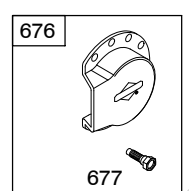
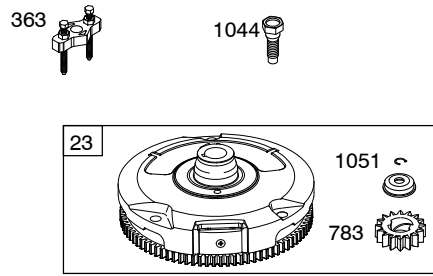
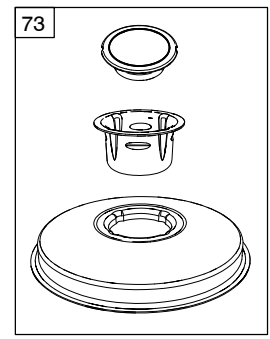
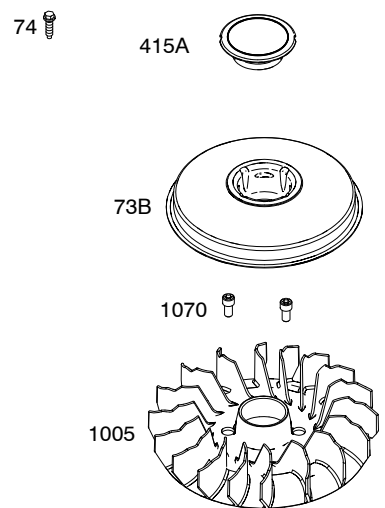
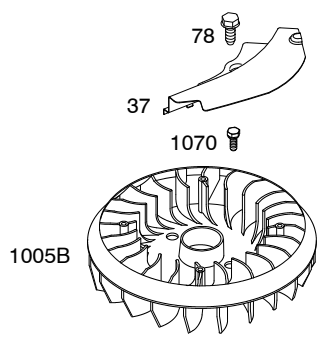
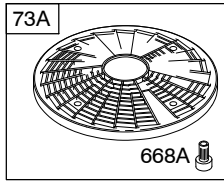


1036 EMISSIONS LABEL



5767-5 *Illustrations cover a range of engines. Parts shown without corresponding text may not be used on your specific engine.* Assemblies include all parts shown in frames. 10/13/2008

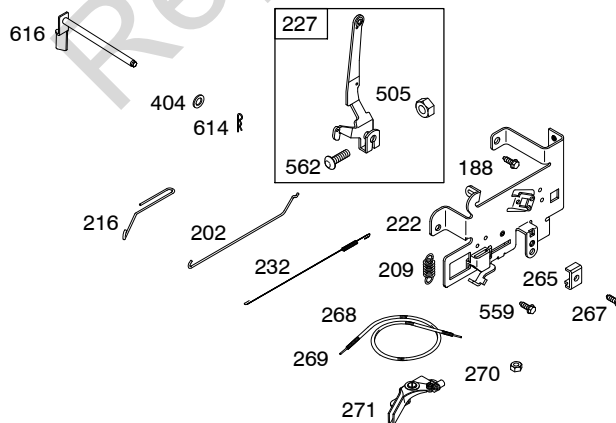
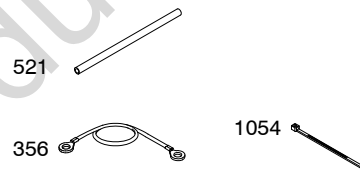
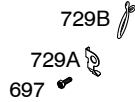
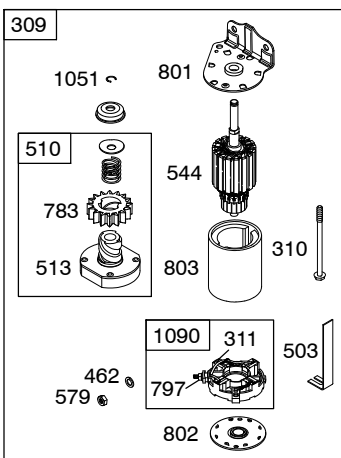
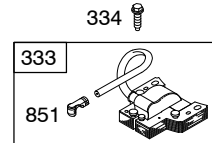
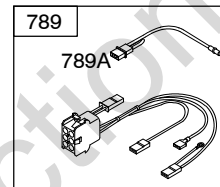
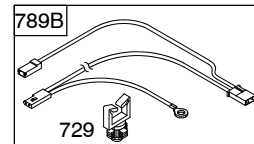
31Q700



DUAL CIRCUIT		TRI CIRCUIT		10 AMP	
474B	1059	474C	1059	474D	1059
877		877B		877C	
878		878A		578	
		501A	5/9 AMP REGULATED 		10/16 AMP REGULATED 526 501

NOTE: All stators use a No. 1119 mounting screw.

NOTE: The proper flywheel part number and/or the alternator magnet size will determine the alternator type or output. See repair instruction manual for additional information.



Illustrations cover a range of engines. Parts shown without corresponding text may not be used on your specific engine.
 5767-7 Assemblies include all parts shown in frames. 10/13/2008

31Q700

REF. NO.	PART NO.	DESCRIPTION	REF. NO.	PART NO.	DESCRIPTION	REF. NO.	PART NO.	DESCRIPTION
1	796010	Cylinder Assembly ----- Note ----- 796010 Cylinder Assembly (Used Before Code Date 08042800) Must Be Used With The After 08042700 Cylinder Shield, Ref 306.			(Used After Code Date 07010900). ----- Note ----- 690360Screw (Cylinder Head) (Used Before Code Date 07011000).	27	698469	Lock-Piston Pin
2	399265	Kit-Bushing/Seal (Magneto Side)	15	690946	Plug-Oil Drain (Square Head) ----- Note ----- 691680 Plug-Oil Drain (Square Socket)	28	796007	Pin-Piston (Standard) (Used After Code Date 08042700). ----- Note ----- 697099 Pin-Piston (Standard) (Used Before Code Date 08042800).
3	★391086s	Seal-Oil (Magneto Side)	16	793410	Crankshaft	29	794571	Rod-Connecting (Standard) ----- Note ----- 697264 Rod-Connecting (.020" Undersize) (Used Before Code Date 05040400).
4A	697188	Sump-Engine (Used After Code Date 05100200). ----- Note ----- 795938 Sump-Engine (Used Before Code Date 05100300). (Must Use Kit 795938, Includes Sump And Counterweight).	20	★690947	Seal-Oil (PTO Side)	32	791118	Screw (Connecting Rod)
5	★796025	Head-Cylinder (Used After Code Date 08042700). ----- Note ----- 794223 Head-Cylinder (Used Before Code Date 08042800).	22	692125	Screw (Crankcase Cover/Sump)	33	792868	Valve-Exhaust (Used After Code Date 06011900). ----- Note ----- 698370 Valve-Exhaust (Used Before Code Date 06012000).
6	690310	Washer (Used After Code Date 07070900).	23	693556	Flywheel Used on Type No(s). 0215, 0298. ----- Note ----- 693557 Flywheel Used on Type No(s). 0215, 0298.	34	791935	Valve-Intake (Used After Code Date 06011900). ----- Note ----- 695761 Valve-Intake (Used Before Code Date 06012000).
7	★Δ794114	Gasket-Cylinder Head	24	222698s	Key-Flywheel	35	691279	Spring-Valve (Intake)
9	★697109	Gasket-Breather (Used Before Code Date 07071900). (After Date Code Use Liquid Sealant Reference 850)	25	796172	Piston Assembly (Standard) (Used After Code Date 08042700). ----- Note ----- 791937 Piston Assembly (Standard) (Used Before Code Date 08042800). 796173 Piston Assembly (.020" Oversize) (Used After Code Date 08042700). 793019 Piston Assembly (.020" Oversize) (Used Before Code Date 08042800).	36	691279	Spring-Valve (Exhaust)
10	697157	Screw (Breather Assembly)				37	699832	Guard-Flywheel ----- Note ----- 697352 Guard-Flywheel Used on Type No(s). 0113.
11	794683	Tube-Breather (Used After Code Date 07071800). ----- Note ----- 697113 Tube-Breather (Used Before Code Date 07071900).	26	791936	Ring Set (Standard) ----- Note ----- 792649 Ring Set (.020" Oversize)			
12	★697110	Gasket-Crankcase						
13	793988	Screw (Cylinder Head)						

★ Included in Engine Gasket Set-Ref. No.358.

● Included in Carburetor Overhaul Kit-Ref. No. 121 or 121A.

◆ Included in Carburetor Gasket Set-Ref. No. 977.

Δ Included in Valve Gasket Set-Ref. No 1095.

Illustrations cover a range of engines. Parts shown without corresponding text may not be used on your specific engine.

REF. NO.	PART NO.	DESCRIPTION	REF. NO.	PART NO.	DESCRIPTION	REF. NO.	PART NO.	DESCRIPTION
42	499586	Keeper-Valve	98	495800	Kit-Idle Speed	118A	790890	Jet-Main
43	691968	Slinger-Governor/Oil	98A	695408	Kit-Idle Speed			(High Altitude)
45	690564	Tappet-Valve	104	●690525	Pin-Float Hinge			(Used After Code Date
46	793880	Camshaft	104A	●694918	Pin-Float Hinge			08042700).
50	690193	Manifold-Intake	105	●231855s	Valve-Float Needle			Used on Type No(s).
50D	699029	Manifold-Intake Used on Type No(s). 0036G1, 0136G1.	105A	●696136	Valve-Float Needle			0215.
51★▲◆	●692137	Gasket-Intake	106	●690577	Seat-Inlet (Gravity Feed)			----- Note -----
53	690227	Stud (Carburetor)			----- Note -----			843099 Jet-Main
54	691148	Screw (Intake Manifold)	108	692344	Valve-Choke			(High Altitude)
73	796309	Screen-Rotating	108B	695419	Valve-Choke			(Used Before Code
		----- Note -----	117	694352	Jet-Main (Standard)			Date 08042800).
		796308 Screen- Rotating (Used After Code Date 08082600). Used on Type No(s). 0113.	117A	843099	Jet-Main (Standard)			Used on Type No(s). 0215.
		796309 Screen- Rotating (Used After Code Date 08082600). Used on Type No(s). 0115, 0116, 0136, 0592.			----- Note -----			790890 Jet-Main
73A	494439	Screen-Rotating			699732 Jet-Main (Standard)			(High Altitude)
73B	794437	Screen-Rotating (Used Before Code Date 08082700). Used on Type No(s). 0113.			(Used Before Code Date 08042800). Used on Type No(s). 0215.			(Used After Code Date 08051300).
		----- Note -----			843099 Jet-Main (Standard)			Used on Type No(s). 0036, 0113, 0115, 0119, 0136.
		794357 Screen- Rotating (Used Before Code Date 08082700). Used on Type No(s). 0115, 0116, 0136, 0592.			843099 Jet-Main (Standard)			843099 Jet-Main (High Altitude)
74	691674	Screw (Rotating Screen)			(Used After Code Date 08051300). Used on Type No(s). 0036, 0113, 0115, 0119, 0136.	121	697241	Kit-Carburetor Overhaul (Walbro)
78	691003	Screw (Flywheel Guard)			699732 Jet-Main (Standard)			(Used Before Code Date 08051400).
81	691178	Lock-Muffler Screw			Used on Type No(s). 0036, 0113, 0115, 0136.	121A	699521	Kit-Carburetor Overhaul (Nikki)
93	●690602	Bushing-Throttle Shaft	118	697228	Jet-Main (High Altitude)			
94	498030	Kit-Idle Mixture						
94A	793610	Kit-Idle Mixture						
95	●691636	Screw (Throttle Valve)						
95A	●690718	Screw (Throttle Valve)						

★ Included in Engine Gasket Set-Ref. No.358.

● Included in Carburetor Overhaul Kit-Ref. No. 121 or 121A.

◆ Included in Carburetor Gasket Set-Ref. No. 977.

▲ Included in Valve Gasket Set-Ref. No 1095.

Illustrations cover a range of engines. Parts shown without corresponding text may not be used on your specific engine.

31Q700

REF. NO.	PART NO.	DESCRIPTION	REF. NO.	PART NO.	DESCRIPTION	REF. NO.	PART NO.	DESCRIPTION
125A	796109	Carburetor (Nikki)(Gravity Feed) (Used After Code Date 08042700). Used on Type No(s). 0215. ----- Note ----- 792358 Carburetor (Nikki)(Gravity Feed) (Used Before Code Date 08042800). Used on Type No(s). 0215. 796109 Carburetor (Nikki)(Gravity Feed) (Used After Code Date 08051300). Used on Type No(s). 0036, 0113, 0115, 0119, 0136. 792358 Carburetor (Nikki)(Gravity Feed) (Used Before Code Date 08051400). Used on Type No(s). 0036, 0113, 0115, 0136. 792358 Carburetor (Nikki)(Gravity Feed) (Used Before Code Date 08051400). Used on Type No(s). 0036, 0113, 0115, 0136. 792358 Carburetor (Nikki)(Gravity Feed)	146	691639	Key-Timing	240A	691035	Filter-Fuel (Includes 30 Micron Paper Element) Used on Type No(s). 0036, 0110, 0112, 0113, 0115, 0116, 0117, 0119, 0136, 0298, 0305, 0466, 0592.
			186	794873	Hose-Connector			
			187	791805	Line-Fuel (Formed) (10-1/4 Inches Long)(Cut to Required Length)	265	691024	Clamp-Casing
			187A	791806	Line-Fuel (Formed) (21 Inches Long)(Cut to Required Length)	267	794904	Screw (Casing Clamp)
			187D	791744	Line-Fuel (Formed) (14 Inches Long)(Cut to Required Length)	268	691025	Casing-Control Wire (Cut To Required Length)
			188	691693	Screw (Control Bracket)	269	691026	Wire-Control (Cut To Required Length)
			192	691986	Adjuster-Rocker Arm	270	691027	Nut (Control Wire Casing)
			202	691841	Link-Mechanical Governor	271	691028	Lever-Control
			209	692208	Spring-Governor	276	692255	Washer-Sealing
					----- Note -----	276A	695410	Washer-Sealing
					792602 Spring-Governor Used on Type No(s). 0112, 0113, 0115, 0116, 0117, 0119.	300A	795997	Muffler (Used After Code Date 08042700). Used on Type No(s). 0110, 0112, 0115. ----- Note -----
			216	691840	Link-Choke			697349 Muffler (Used Before Code Date 08042800). Used on Type No(s). 0110, 0112, 0115.
			222	694042	Bracket-Control			
			227	691374	Lever-Governor Control			
127	695005	Plug-Welch	232	691842	Spring-Governor Link			
127A	690727	Plug-Welch	238	691843	Cap-Valve			
130	691750	Valve-Throttle	239	697049	Switch-Oil Pressure Used on Type No(s). 0112, 0115, 0116, 0117, 0119, 0136, 0592.	304	796416	Housing-Blower (Black) (Used After Code Date 08082400). Used on Type No(s). 0113.
130A	699500	Valve-Throttle	240	394358s	Filter-Fuel (White, 75 Microns) Used on Type No(s). 0215.			
131	790901	Kit-Throttle Shaft						
131A	699501	Kit-Throttle Shaft						
133	494381	Float-Carburetor						
133A	694914	Float-Carburetor						
135	698780	Tube-Fuel Transfer (Nikki)(Gravity Feed) ----- Note ----- 792022 Tube-Fuel Transfer (Nikki)(Pump Feed)						
137	281165s	Gasket-Float Bowl						
137A	698781	Gasket-Float Bowl						
141	790902	Kit-Choke Shaft						
141B	695420	Kit-Choke Shaft						
142	697140	Nozzle-Carburetor (Standard)						

★ Included in Engine Gasket Set-Ref. No.358.

● Included in Carburetor Overhaul Kit-Ref. No. 121 or 121A.

◆ Included in Carburetor Gasket Set-Ref. No. 977.

△ Included in Valve Gasket Set-Ref. No 1095.

Illustrations cover a range of engines. Parts shown without corresponding text may not be used on your specific engine.

REF. NO.	PART NO.	DESCRIPTION	REF. NO.	PART NO.	DESCRIPTION	REF. NO.	PART NO.	DESCRIPTION
304A	794918	Housing-Blower (Black) (Used Before Code Date 08082500). Used on Type No(s). 0115, 0116, 0136, 0592.	307	691003	Screw (Cylinder Shield)	445	698083	Filter-Air Cleaner Cartridge (Non Washable)
304B	796451	Housing-Blower (Black) ----- Note ----- 796451 Housing-Blower (Black) (Used After Code Date 08082400). Used on Type No(s). 0115, 0116, 0136, 0592.	309	693551	Motor-Starter	445A	793569	Filter-Air Cleaner Cartridge Used on Type No(s). 0115, 0116, 0117, 0119, 0136, 0592.
304D	790009	Housing-Blower (Black) ----- Note ----- 698599 Housing-Blower (Black) (Used Before Code Date 08082500). Used on Type No(s). 0113.	310	690323	Screw (Starter Motor)	462	691261	Washer (Starter Cable)
305	697102	Screw (Blower Housing)	311	497608	Brush Set	474B	696459	Alternator (Dual Circuit) Used on Type No(s). 0215, 0298.
305A	697103	Screw (Blower Housing)	333	795315	Armature-Magneto	474C	696457	Alternator (Tri Circuit) Used on Type No(s). 0036, 0113, 0116, 0117, 0119, 0136, 0466, 0592.
305B	795891	Screw (Blower Housing)	334	691061	Screw (Magneto Armature)	474D	696458	Alternator (10 Amp Circuit) Used on Type No(s). 0110, 0112, 0115, 0305.
306	794935	Shield-Cylinder Used on Type No(s). 0115, 0116, 0117, 0119, 0136, 0592. ----- Note ----- 796006 Shield-Cylinder Used on Type No(s). 0113. 794935 Shield-Cylinder (Used After Code Date 08042700). 697107 Shield-Cylinder (Used Before Code Date 08042800).	356	697089	Wire-Stop	501	691185	Regulator Used on Type No(s). 0110, 0112, 0115, 0305.
			358	794150	Gasket Set-Engine	501A	794360	Regulator Used on Type No(s). 0036, 0113, 0116, 0117, 0119, 0136, 0466, 0592.
			363	19203	Puller-Flywheel	503	691532	Strap-Starter
			383	89838s	Wrench-Spark Plug	505	691251	Nut (Governor Control Lever)
			385	694476	Screw (Fuel Pump)	510	693699	Drive-Starter
			385A	690297	Screw (Fuel Pump)	513	692024	Clutch-Drive
			387	697090	Pump-Fuel (Used Before Code Date 08082500).	521	690581	Shield-Cable
			387A	808656	Pump-Fuel (Used After Code Date 08082400).	523	699908	Dipstick
			404	691691	Washer (Governor Crank)	524	*691032	Seal-Dipstick Tube
			415	794903	Plug (Engine Sump)			
			415A	794129	Plug (Cover/Retainer)			
			431	697122	Elbow-Intake			
			431A	794145	Elbow-Intake Used on Type No(s). 0115, 0116, 0117, 0119, 0136, 0592.			

★ Included in Engine Gasket Set-Ref. No.358.

● Included in Carburetor Overhaul Kit-Ref. No. 121 or 121A.

◆ Included in Carburetor Gasket Set-Ref. No. 977.

△ Included in Valve Gasket Set-Ref. No 1095.

Illustrations cover a range of engines. Parts shown without corresponding text may not be used on your specific engine.

31Q700

REF. NO.	PART NO.	DESCRIPTION	REF. NO.	PART NO.	DESCRIPTION	REF. NO.	PART NO.	DESCRIPTION
525	697085	Tube-Dipstick Used on Type No(s). 0036, 0110, 0112, 0113, 0115, 0116, 0117, 0119, 0136, 0298, 0305, 0466, 0592. ----- Note ----- 697184 Tube-Dipstick Used on Type No(s). 0215.	633	●690998	Seal-O Ring	759	697392	Pin-Counterweight
			634	●690802	Spring/Seal Assembly	773	796448	Retainer
			634B	●698779	Spring/Seal Assembly	783	693713	Gear-Pinion
			635	691909	Boot-Spark Plug	789	698329	Harness-Wiring Used on Type No(s). 0036, 0112, 0113, 0115, 0116, 0117, 0119, 0215, 0298, 0305, 0466.
			643	698401	Retainer-Air Filter	789A	790544	Harness-Wiring
			654	690958	Nut (Carburetor)	789B	692037	Harness-Wiring Used on Type No(s). 0110, 0136, 0592.
			668A	691500	Spacer (Rotating Screen)	789B	692037	Harness-Wiring Used on Type No(s). 0110, 0136, 0592.
526	697348	Screw (Regulator) Used on Type No(s). 0110, 0112, 0115, 0305. ----- Note ----- 697088 Screw (Regulator) Used on Type No(s). 0036, 0113, 0116, 0117, 0119, 0136, 0466, 0592.	676	393761	Deflector-Muffler Used on Type No(s). 0112, 0115.	789B	692037	Harness-Wiring Used on Type No(s). 0110, 0136, 0592.
			677	690661	Screw (Muffler Deflector) Used on Type No(s). 0112, 0115.	797	693167	Nut (Brush Retainer)
			691	★692407	Seal-Governor Shaft	801	691283	Cap-Drive
			692	690572	Spring-Detent	802	691286	Cap-End
			697	690372	Screw (Drive Cap) ----- Note ----- 690363 Screw (Drive Cap) Used on Type No(s). 0113.	803		Housing-Starter (Not Serviced Separately, Order Starter Motor 693551)
544	692034	Armature-Starter	718	690959	Pin-Locating	823	698941	Screw (Muffler Adapter)
552	697144	Bushing-Governor Crank	729	691335	Clip-Wire (Wire Saddle)	830	691095	Stud-Rocker Arm
559	697561	Screw (Remote Choke Stop) Used on Type No(s). 0110, 0113, 0305.	729A	691224	Clip-Wire (Aluminum Coated Steel)	842	★691031	Seal-O Ring (Dipstick Tube)
562	691119	Bolt (Governor Control Lever)	729B	694123	Clip-Wire	847	790443	Dipstick/Tube Assembly Used on Type No(s). 0036, 0110, 0112, 0113, 0115, 0116, 0117, 0119, 0136, 0298, 0305, 0466, 0592.
578	692306	Wire Assembly	741	697128	Gear-Timing			----- Note ----- 790442 Dipstick/Tube Assembly Used on Type No(s). 0215.
579	691029	Nut (Starter Cable)	750	790832	Screw (Oil Pump Cover)			
584	794682	Cover-Breather Passage (Use With Liquid Sealant Reference 850)	757	697607	Link-Counterweight (Used After Code Date 05100200).			
601	791850	Clamp-Hose	758	793763	Counterweight (Used After Code Date 05100200). ----- Note ----- 795938 Counterweight (Used Before Code Date 05100300). (Must Use Kit 795938, Includes Sump And Counterweight).			
613	691416	Screw (Muffler)						
613AB	690297	Screw (Muffler)						
614	691620	Pin-Cotter						
616	692012	Crank-Governor						
617	★●692138	Seal-O Ring (Intake Manifold)						

★ Included in Engine Gasket Set-Ref. No.358.

● Included in Carburetor Overhaul Kit-Ref. No. 121 or 121A.

◆ Included in Carburetor Gasket Set-Ref. No. 977.

△ Included in Valve Gasket Set-Ref. No 1095.

Illustrations cover a range of engines. Parts shown without corresponding text may not be used on your specific engine.

REF. NO.	PART NO.	DESCRIPTION	REF. NO.	PART NO.	DESCRIPTION	REF. NO.	PART NO.	DESCRIPTION
850	100100	Sealant-Liquid (Rocker Cover Gasket and Breather Gasket) (Used After Code Date 07071800).	968A	795757	Cover-Air Cleaner (Black)	1051	691265	Ring-Retaining
851	692424	Terminal-Spark Plug	975	495933	Bowl-Float	1054	280275	Tie-Cable
864	794661	Adapter-Muffler Used on Type No(s). 0110, 0112, 0115.	975A	699502	Bowl-Float	1058	276344	Operator's Manual
868	★Δ690968	Seal-Valve	977	690192	Gasket Set-Carburetor	1059	698516	Kit-Screw/Washer
877	393456	Wire/Connector-Alternator (Dual Circuit)	987	●691326	Seal-Throttle Shaft	1070	690372	Screw (Flywheel Fan)
877B	393537	Wire/Connector-Alternator (Tri Circuit)	987A	●698777	Seal-Throttle Shaft	----- Note -----		
877C	399916	Wire/Connector-Alternator (10 Amp Circuit)	1005	794121	Fan-Flywheel Used on Type No(s). 0115, 0116, 0117, 0119, 0136, 0592.	1090	691293	Retainer-Brush
878	398661	Harness-Alternator (Dual Circuit)	1005B	697111	Fan-Flywheel Used on Type No(s). 0036, 0101, 0112, 0215, 0298, 0466.	1091	691333	Cap-Limiter
878A	691955	Harness-Alternator (Tri Circuit)	1017	690770	Screen-Oil Pump (Push In)	1095	794152	Gasket Set-Valve
883	★692236	Gasket-Exhaust	1023	791079	Cover-Rocker	1119	691183	Screw (Alternator)
914	691108	Screw (Rocker Cover)	1024A	794644	Pump-Oil	1127	695407	Screw (Float Bowl)
918	791851	Hose-Vacuum	1026	692003	Rod-Push (Intake)	1139	796449	Washer
943	★690589	Seal-O Ring (Oil Pump Cover)	1026	692003	Rod-Push (Intake)	1263	697124	Reed-Breather
947	694393	Solenoid-Fuel	1027	696854	Filter-Oil	1264	697104	Screw (Breather Reed)
947A	699915	Solenoid-Fuel	1029	691751	Arm-Rocker	1265	697125	Support-Blower Housing
950	691657	Screw-Float Bowl	1034	690822	Guide-Push Rod	1265A	794151	Support-Blower Housing Used on Type No(s). 0115, 0116, 0117, 0119, 0136, 0592.
965	499613	Cover-Oil Pump	1036		Label-Emissions (Available From A Briggs & Stratton Authorized Dealer)	1266	★●691917	Seal-O Ring (Intake Elbow)
967	697015	Filter-Pre Cleaner	1040	698368	Plate-Trim	1266A	●697123	Seal-O Ring (Intake Elbow)
967A	793685	Filter-Pre Cleaner Used on Type No(s). 0115, 0116, 0117, 0119, 0136, 0592.	1040A	698470	Plate-Trim	1267	697575	Latch-Blower Housing
968	698403	Cover-Air Cleaner (Black) (Used After Code Date 08082400). Used on Type No(s). 0113.	1040B	699852	Plate-Trim	----- Note -----		
		----- Note ----- 699986 Cover-Air Cleaner (Black) (Used Before Code Date 08082500). Used on Type No(s). 0113.	1044	698139	Screw (Flywheel)	697419	Latch-Blower Housing Used on Type No(s). 0113.	
						1270	697156	Plug-AVS Counterweight
						1279	691108	Screw (Blower Housing Support)
						1319	794467	Label-Warning

★ Included in Engine Gasket Set-Ref. No.358.

● Included in Carburetor Overhaul Kit-Ref. No. 121 or 121A.

◆ Included in Carburetor Gasket Set-Ref. No. 977.

Δ Included in Valve Gasket Set-Ref. No 1095.

Illustrations cover a range of engines. Parts shown without corresponding text may not be used on your specific engine.

Not for
Reproduction

Not for
Reproduction

Not for
Reproduction

